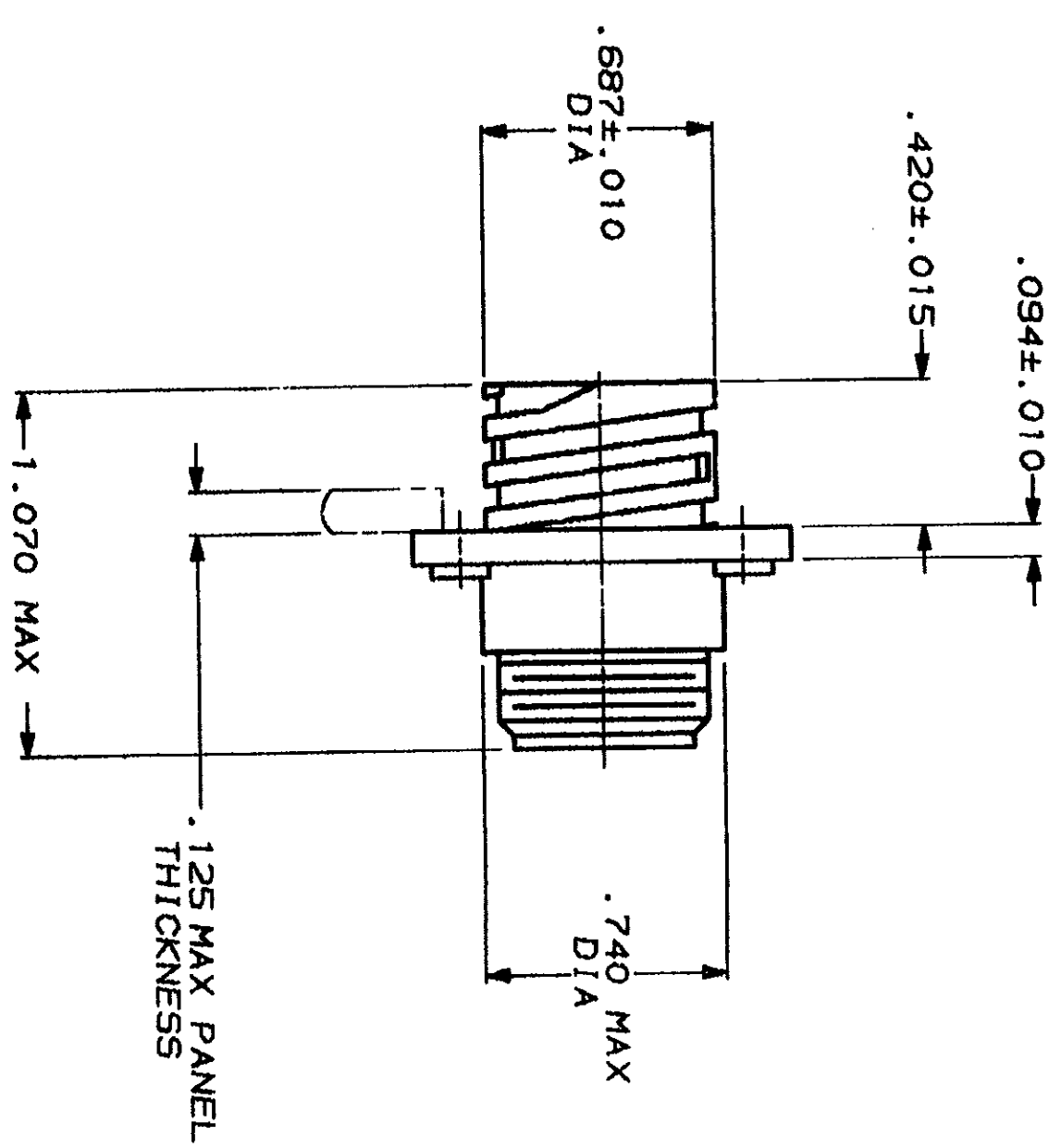
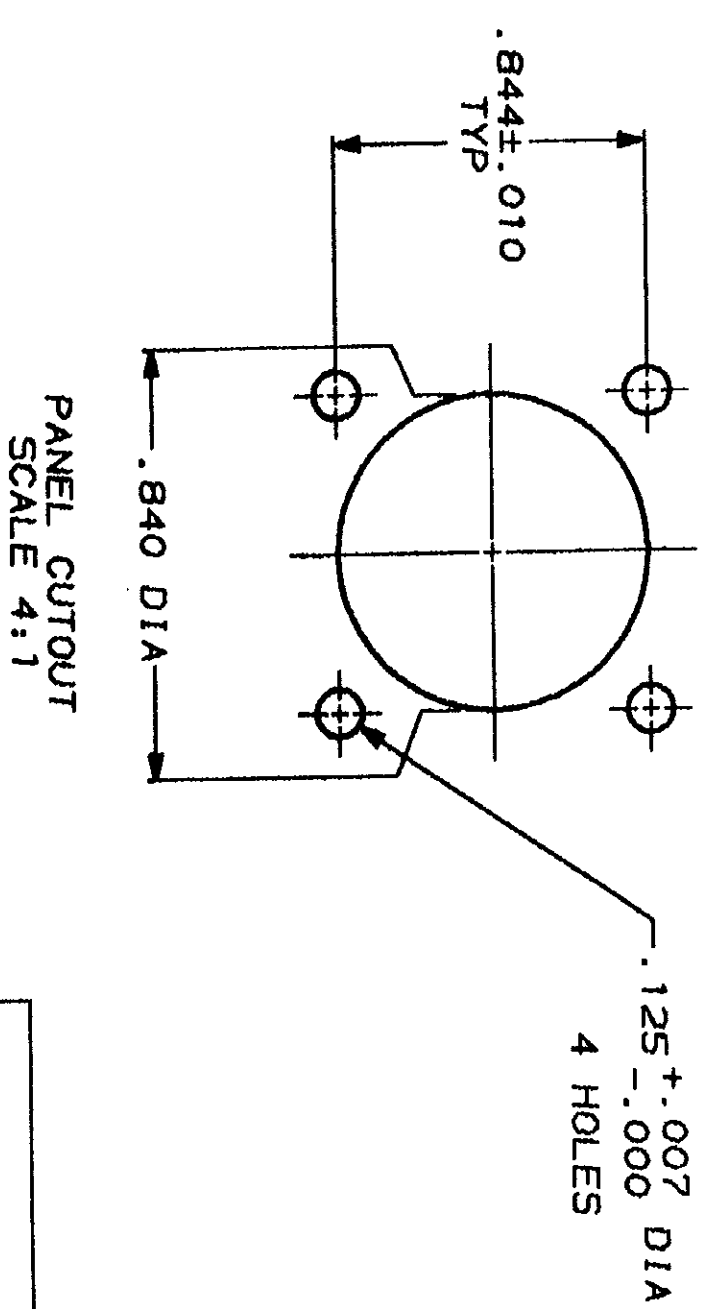
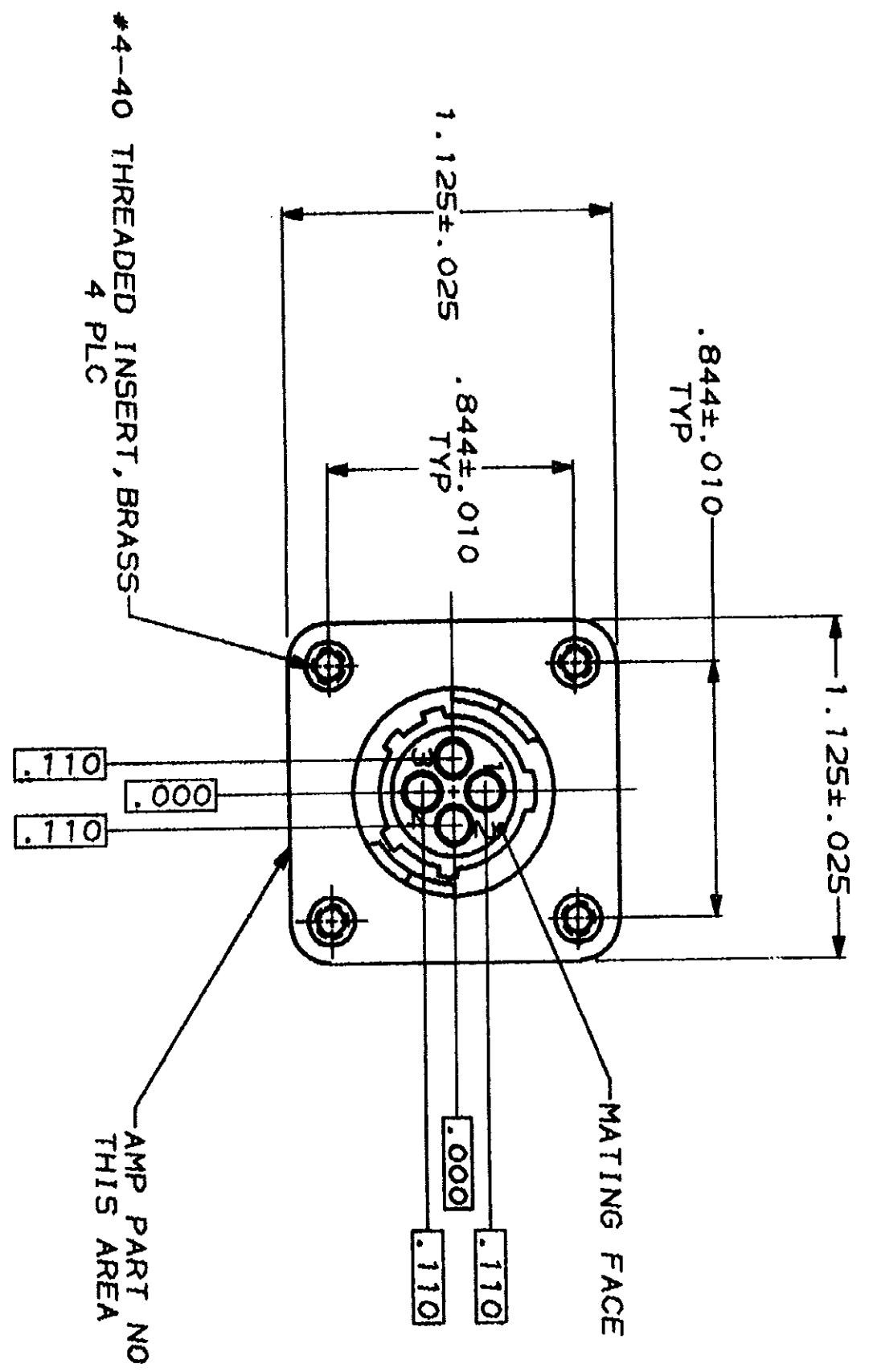


DRAWING MADE IN THIRD ANGLE PROJECTION
 THIS DRAWING IS UNPUBLISHED. RELEASED FOR PUBLICATION
 BY AMP INCORPORATED. ALL INTERNATIONAL RIGHTS RESERVED. '19

REV	DATE	BY	DESCRIPTION
23	BD	39	REDDRAWN



- CONTACT CAVITIES IDENTIFIED BY CHARACTERS ON FRONT AND REAR FACES OF CONNECTOR.
- CONNECTOR WILL ACCEPT FOUR (4) MULTIMATE SOCKET CONTACTS.

DO NOT SCALE PRINT. UNLESS SPECIFIED DIMENSIONS IN INCHES TOLERANCES ON 1		DR B/1/90	AMP
3 PLC DEC ± .005		S. RIDLEY BS	AMP Incorporated
2 PLC DEC ± .005		CHK - R. B. BUELL	Harrisburg, PA 17105-3608
1 PLC DEC ± .005		APPD - R. B. BUELL	
MATERIAL THERMOPLASTIC, BLACK		APPD - R. B. BUELL	
FINISH		PRODUCT SPEC	
APPLICATION SPEC		SCALE	
WEIGHT		SIZE	
		CAGE CODE	
		DRAWING NO	211102
		SHEET	1 OF 1

211102-1
PART NUMBER

211102

CUSTOMER DRAWING